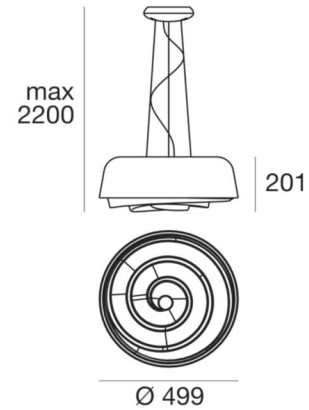




Pendant Luminaires | 220-240 V | 2xE27
7655



Technical data	
Type	Surface
Installation position	Ceiling
Installation environment	Indoor
Lamp cap	2 x E27 Max 46W
Frequency	50-60 Hz
Optics	General Lighting
Light emission direction	downward
Safety class	1
IP	IP20
Glow wire test	850°
Direct mounting on normally flammable surfaces	Yes
CE	Yes
ETL	No
Fire Rated (BS 476 PT21 compliant)	No
Induction	No
Motion sensor	No
Directional	No
Tilting	No
Walk-over	No
Drive-over	No
Cable included	No
Resin potting	No
Net weight	3.600 Kg

Finishing casing	
Material	Iron
Colour	embossed white RAL 9003
Processing	Coating
Finishing diffuser	
Material	PE
Colour	neutral

Pendant Luminaires | 220-240 V | 2xE27 7655

Double emission pendant luminaires for indoor application. Compatibility: LED lamp, halogen 46 W, compact fluo 20 W; lamp cap 2xE27.

The device body is made of iron and features a embossed white ral 9003 finish, processed by means of coating; the diffuser is made of pe. The ingress protection degree is IP20; the total weight is of 3.600 kg.

The device features protection class I and can be ceiling-mounted.

Illuminotechnical Features

Light Output Ratio (LOR)	71 %
Source lumens	1400 lm
Delivered lumens	1001 lm
Consumption	92 W
Luminaire efficacy	15 lm/W
Colour temperature	2500 K
Colour rendering index	100 Ra

