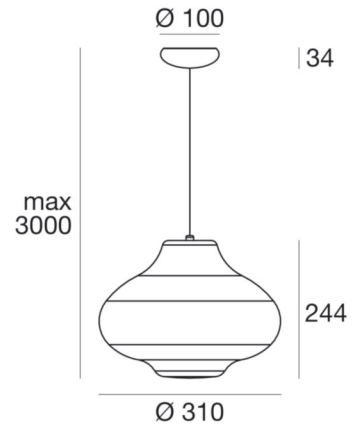




Pendant Luminaires | 220-240 V | 1xE27  
8387



Technical data	
Type	Surface
Installation position	Ceiling
Installation environment	Indoor
Lamp cap	1 x E27 Max 46W
Frequency	50-60 Hz
Optics	General Lighting
Light emission direction	downward
Safety class	1
IP	IP20
Glow wire test	650°
Direct mounting on normally flammable surfaces	Yes
CE	Yes
ETL	No
Fire Rated (BS 476 PT21 compliant)	No
Induction	No
Motion sensor	No
Directional	No
Tilting	No
Walk-over	No
Drive-over	No
Cable included	No
Resin potting	No

Finishing diffuser	
Material	PE
Colour	neutral



Pendant Luminaires | 220-240 V | 1xE27  
8387

Double emission pendant luminaires for indoor application. Compatibility:  
LED lamp, compact fluo 30 W, halogen 46 W; lamp cap 1xE27.

The diffuser is made of pe; the mounting frame is made of aluminium,  
processed by means of electroplating. The ingress protection degree is  
IP20; the total weight is of -- kg.

The device features protection class I and can be ceiling-mounted.

Illuminotechnical Features	
Light Output Ratio (LOR)	100 %
Source lumens	700 lm
Delivered lumens	638 lm
Consumption	11 W
Luminaire efficacy	58 lm/W
Colour temperature	2800 K
Colour rendering index	100 Ra

UGR	
X=4H   Y=8H	S=0.25H
Reflection factor	70/50/20
UGR transversal	< 16
UGR axial	< 16

OPTICAL	
Light distribution simmetry	Symmetrical
C0/C180 optics	180°

