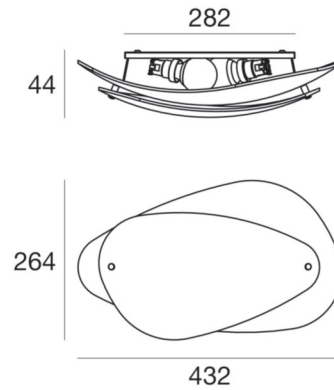


Moledro_W



Wall Lights | 220-240 V | 2xE27
90315



| Technical data | |
|--|------------------|
| Type | Surface |
| Installation position | Wall lights |
| Installation environment | Indoor |
| Lamp cap | 2 x E27 Max 46W |
| Frequency | 50-60 Hz |
| Optics | General Lighting |
| Light emission direction | downward |
| Safety class | 1 |
| IP | IP20 |
| Glow wire test | 850° |
| Direct mounting on normally flammable surfaces | Yes |
| CE | Yes |
| ETL | No |
| Fire Rated (BS 476 PT21 compliant) | No |
| Induction | No |
| Motion sensor | No |
| Directional | No |
| Tilting | No |
| Walk-over | No |
| Drive-over | No |
| Cable included | No |
| Resin potting | No |

| Finishing diffuser | |
|--------------------|--------------|
| Material | Glass |
| Colour | white |
| Processing | Sandblasting |



Wall Lights | 220-240 V | 2xE27
90315

Double emission wall lights for indoor application. Compatibility: LED lamp, halogen 46 W, compact fluo 20 W; lamp cap 2xE27.

The diffuser is made of glass with a sandblasting treatment; the mounting frame is made of iron, with a embossed white ral 9003 finish, processed by means of coating. The ingress protection degree is IP20;

The device features protection class I and can be wall lights-mounted.

Illuminotechnical Features

| | |
|------------------------|---------|
| Source lumens | 1400 lm |
| Colour temperature | 2800 K |
| Colour rendering index | 100 Ra |