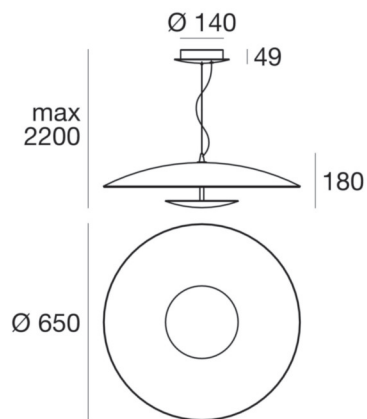




Pendant Luminaires | 220-240 V | topLED 34 W 700 mA | CRI 80
90288



Technical data

Type	Surface
Installation position	Ceiling
Installation environment	Indoor
Light Source	LED
Optics	General Lighting
Light emission direction	upward
Power	34 W
Source lumens	3214 lm
Frequency	60 - 50 Hz
CCT / Tone	3000 K
Colour rendering index	80 Ra
AC / DC	AC
Safety class	1
IP	IP20
Glow wire test	850°
Direct mounting on normally flammable surfaces	Yes
CE	Yes
ETL	No
Fire Rated (BS 476 PT21 compliant)	No
Driver included	Driver
Induction	No
Emergency mode	No
Motion sensor	No
Directional	No
Tilting	No
Walk-over	No
Drive-over	No
Cable included	No
Resin potting	No
Type of light emission	Double emission

Finishing casing

Material	Iron
Colour	chrome
Processing	Electroplating

Finishing diffuser

Material	Glass
Colour	white
Processing	Sandblasting



Pendant Luminaires | 220-240 V | topLED 34 W 700 mA | CRI 80
90288

Double emission pendant luminaires for indoor application. The warm white LED light source with a general lighting light distribution is composed of 1 topLED LEDs with CCT of 3000 K and a CRI 80; the source luminous flux is 3214 lm, with a 94.5 lm/W nominal luminous efficacy.

The device body is made of iron and features a chrome finish, processed by means of electroplating; the diffuser is made of glass with a sandblasting treatment; the mounting frame is made of iron, with an embossed white ral 9003 finish, processed by means of coating. The ingress protection degree is IP20;

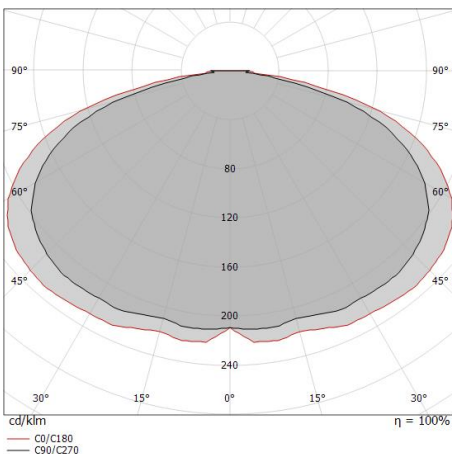
The total absorbed power is 34 W.

The device features protection class I and can be ceiling-mounted.

Illuminotechnical Features	
Light Output Ratio (LOR)	70 %
Source lumens	3214 lm
Delivered lumens	2270 lm
Consumption	34 W
Luminaire efficacy	66 lm/W
Colour temperature	3000 K
Colour rendering index	80 Ra

UGR	
X=4H Y=8H	S=0.25H
Reflection factor	70/50/20
UGR transversal	< 19
UGR axial	< 19

OPTICAL	
Light distribution simmetry	Symmetrical 2
C0/C180 optics	152°
C90/C270 optics	148°



Distance [m]	Cone diameter [m]	E(0°)	E(C90)	E(C0)	Illuminance [lx]
0.5	3.44 4.01	1902	21	15	
1.0	6.88 8.02	475	5	4	
1.5	10.33 12.03	211	2	2	
2.0	13.77 16.04	119	1	1	
2.5	17.21 20.05	76	1	1	
3.0	20.65 24.06	53	1	0	

— C0/C180 (Half-peak divergence: 152.0°)
 — C90/C270 (Half-peak divergence: 147.6°)