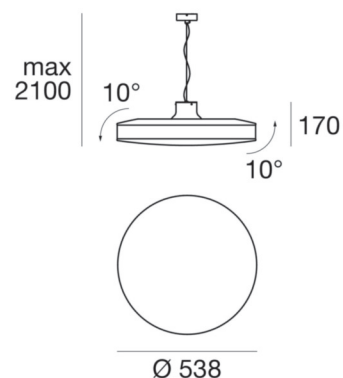




Pendant Luminaires | 220-240 V | topLED 29 W 700 mA | CRI 90
7830



Technical data

Type	Surface
Installation position	Ceiling
Installation environment	Indoor
Light Source	LED
Optics	General Lighting
Light emission direction	downward and upward
Power	29 W
Source lumens	3929 lm
Frequency	50 - 60 Hz
CCT / Tone	3000 K
Colour rendering index	90 Ra
AC / DC	AC
Safety class	1
IP	IP20
Glow wire test	850°
Direct mounting on normally flammable surfaces	Yes
CE	Yes
ETL	No
Fire Rated (BS 476 PT21 compliant)	No
Driver included	Driver
Induction	No
Emergency mode	No
Motion sensor	No
Directional	No
Tilting	Yes
total angle (horizontal plane)	10 °
total angle (vertical plane)	0 °
Walk-over	No
Drive-over	No
Cable included	No
Resin potting	No
Type of light emission	Double emission
Net weight	4.940 Kg

Finishing casing

Material	Fabric
Colour	black

Finishing diffuser

Material	PE
Colour	neutral

Pendant Luminaires | 220-240 V | topLED 29 W 700 mA | CRI 90
7830

Double emission pendant luminaires for indoor application. The warm white LED light source with a general lighting light distribution is composed of 156 topLED LEDs with CCT of 3000 K and a CRI 90; the source luminous flux is 3929 lm, with a 135.5 lm/W nominal luminous efficacy.

The device body is made of fabric and features a black finish; the diffuser is made of pe; the mounting frame is made of iron, with a black ral 9005 finish, processed by means of coating. The ingress protection degree is IP20; the total weight is of 4.940 kg.

The total absorbed power is 29 W.

The device features protection class I and can be ceiling-mounted.

Illuminotechnical Features

Light Output Ratio (LOR)	54 %
Source lumens	3929 lm
Delivered lumens	2156 lm
Consumption	29 W
Luminaire efficacy	74 lm/W
Colour temperature	3000 K
Standard Deviation of Colour Matching	3 Step MacAdam
Colour rendering index	90 Ra

LED Life / Failure Ratio

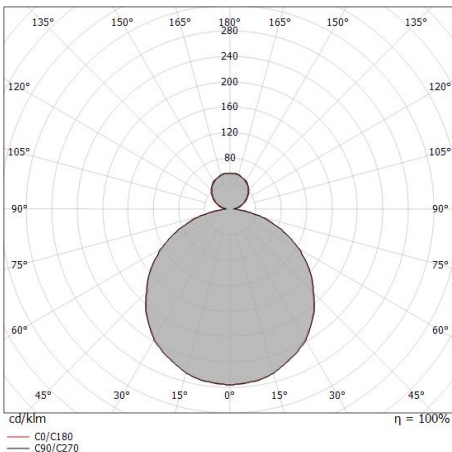
L80 B20 C0 80000h

UGR

X=4H Y=8H	S=0.25H
Reflection factor	70/50/20
UGR transversal	< 16
UGR axial	< 16

OPTICAL

Light distribution simmetry	Symmetrical
C0/C180 optics	114°



Distance [m]	Cone diameter [m]	Illuminance [lx]	E(0°)	E(C90)	E(C0)
0.5	1.53	2377	56.9°	194	196
1.0	3.07	594	56.9°	49	49
1.5	4.60	264	56.9°	22	22
2.0	6.14	149	56.9°	12	12
2.5	7.67	95	56.9°	8	8
3.0	9.20	66	56.9°	5	5

Distance [m] Cone diameter [m] Illuminance [lx]

— C0/C180 (Half-peak divergence: 113.6°)
 — C90/C270 (Half-peak divergence: 113.8°)