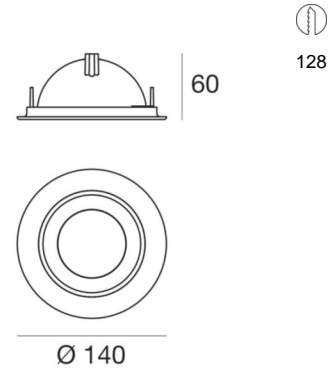




Downlights | topLED 11 W 500 mA | CRI 90  
8470



Technical data	
Type	Trimless
Installation position	Ceiling
Installation environment	Indoor
Light Source	LED
Optics	General Lighting
Light emission direction	downward
Power	11 W
Source lumens	1162 lm
Frequency	50-60 Hz
CCT / Tone	3000 K
Colour rendering index	90 Ra
Safety class	2
IP	IP40
Optical compartment IP	IP40
Glow wire test	850°
Direct mounting on normally flammable surfaces	Yes
CE	Yes
ETL	No
Fire Rated (BS 476 PT21 compliant)	No
Induction	No
Emergency mode	No
Motion sensor	No
Directional	Swivelling
total angle (horizontal plane)	350 °
Tilting	No
Walk-over	No
Drive-over	No
Cable included	No
Resin potting	No
Type of light emission	Single emission
Net weight	0.490 Kg

Finishing casing	
Material	Aluminium
Colour	embossed white RAL 9003
Processing	Coating

Finishing diffuser	
Material	Glass
Colour	transparent



Downlights | topLED 11 W 500 mA | CRI 90  
8470

Single emission downlights for indoor application. The warm white LED light source with a general lighting light distribution is composed of 1 topLED LEDs with CCT of 3000 K and a CRI 90; the source luminous flux is 1162 lm, with a 105.6 lm/W nominal luminous efficacy.

The device body is made of aluminium and features a embossed white ral 9003 finish, processed by means of coating; the diffuser is made of glass. The ingress protection degree is IP40; the total weight is of 0.490 kg.

The total absorbed power is 11 W.

The device features protection class II and can be ceiling-mounted, with a 128 mm diameter hole (in plasterboard).

### Illuminotechnical Features

Light Output Ratio (LOR)	70 %
Source lumens	1162 lm
Delivered lumens	820 lm
Consumption	11 W
Luminaire efficacy	74 lm/W
Colour temperature	3000 K
Standard Deviation of Colour Matching	3 Step MacAdam
Colour rendering index	90 Ra

### LED Life / Failure Ratio

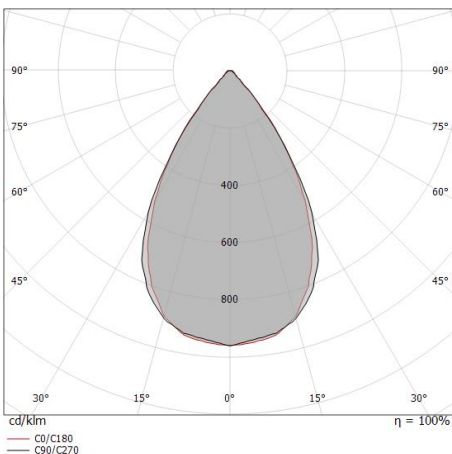
L80 B20 C0 80h
----------------

### UGR

X=4H   Y=8H	S=0.25H
Reflection factor	70/50/20
UGR transversal	< 19
UGR axial	< 19

### OPTICAL

Light distribution simmetry	Symmetrical
C0/C180 optics	62°



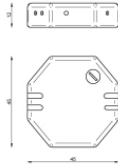
Distance [m]	Cone diameter [m]	Illuminance [lx]	E(0°)	E(C90)	E(C0)
0.5	0.63 0.61	2697	32.2°	819	849
1.0	1.26 1.21	674	32.2°	205	212
1.5	1.89 1.82	300	32.2°	91	94
2.0	2.52 2.42	169	32.2°	51	53
2.5	3.15 3.03	108	32.2°	33	34
3.0	3.78 3.63	75	32.2°	23	24

Distance [m]      Cone diameter [m]      Illuminance [lx]

— C0/C180 (Half-peak divergence: 62.4°)  
— C90/C270 (Half-peak divergence: 64.4°)

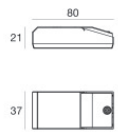


8470



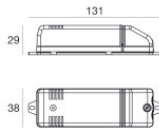
Dimmer  
PUSH DIM, 220-240V

**Code**  
KIT0026



Dimmer  
220-240V

**Code**  
KIT0064



Dimmer  
220-240V

**Code**  
KIT0065