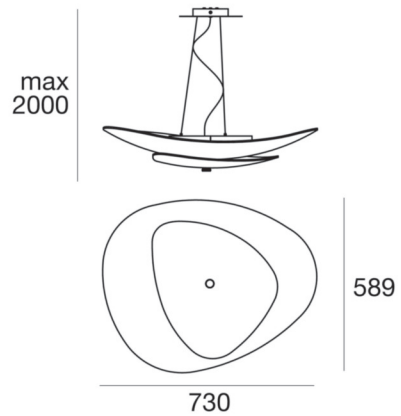


Moledro_P



Pendant Luminaires | 220-240 V | 1xE27
90318



Technical data	
Type	Surface
Installation position	Wall lights
Installation environment	Indoor
Lamp cap	1 x E27 Max 46W
Frequency	50-60 Hz
Optics	General Lighting
Light emission direction	downward and upward
Safety class	1
IP	IP20
Glow wire test	850°
Direct mounting on normally flammable surfaces	Yes
CE	Yes
ETL	No
Fire Rated (BS 476 PT21 compliant)	No
Induction	No
Motion sensor	No
Directional	No
Tilting	No
Walk-over	No
Drive-over	No
Cable included	No
Resin potting	No

Finishing diffuser	
Material	Glass - Glass
Colour	white - gold
Processing	Sandblasting



Pendant Luminaires | 220-240 V | 1xE27
90318

Double emission pendant luminaires for indoor application. Compatibility:
LED lamp, halogen 46 W, compact fluo 20 W; lamp cap 1xE27.

The diffuser is made of glass with a sandblasting treatment the diffuser is
made of glass; the mounting frame is made of iron, with a embossed
white ral 9003 finish, processed by means of coating. The ingress
protection degree is IP20;

The device features protection class I and can be wall lights-mounted.

Illuminotechnical Features

Source lumens	700 lm
Colour temperature	2800 K
Colour rendering index	100 Ra