


**KYCLOS 4900LM**
*Design: Enrico Davide Bona and Elisa Nobile*


Product code	Colour
725-663-21	Mat white
725-663-16	Black

**General Specifications**

Product type	: Spotlights
Mounting type	: LKM 3-phase track
Description	: Kyclos is a spotlight for electrified tracks, specially developed for LED COB sources of the last generation. Body in die-cast aluminium without visible screws, with in the front part in clear polycarbonate, rear painted for a brighter finish. Accessoried with optics for other beams.

Indoor/outdoor lights	: Indoor
Applications	: Art-galleries, Museums, Retail, Showrooms

**Lighting specifications**

Average lamp life (h)	: 50.000
Lamp description	: LED 4900lm 39W 3000K
Nominal lumens on thermal regime	: 4900
Efficiency L.O.R. (%)	: 88,7
Delivered lumens (lm)	: 5459
Lamp wattage (W)	: 39
Color temperature (K)	: 3000

**Physical Specifications**

Body	: Die-cast aluminium
Finishes	: Polyester painted
Reflector	: Mirror-metallized thermoplastic material
Thermal Dissipation	: Passive

**Electrical Specifications**

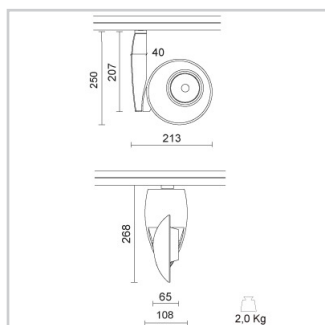
Glow wire (°C)	: 850
Driver	: Included
Driver mounting	: Integrated
Voltage (V)	: 220/240
Frequency (Hz)	: 50/60

**Weight and Dimensions**

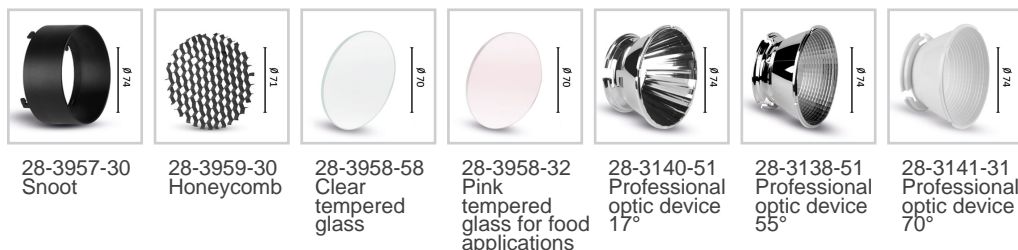
Width (mm)	: 213
Height (mm)	: 250
Weight (Kg)	: 2


**Optical Specifications**

Light distribution	: Symmetric
Light emission	: Direct
Light beam	: 30°
Horizontal orientation	: 350°
Vertical tilt	: 350°
Note	: Honeycomb code 28-3959-30, pink tempered glass for food applications code 28-3958-58, closing screen cod. 28-3958-58 to be used only together with snoot code 28-3957-30. 17°, 55° (mirror metallized), 70° (white) optics are available on demand



## Accessories



Lamps	Lamp categories	Lamp type	Lamp wattage (W)	Nominal lumens on thermal regime (lm)	Color rendering (CRI)
	LED	COB LED	39	4900	85

## Pictures and Applications

