



Product code	Colour
719-221-21	Mat white
719-221-16	Black
719-221-52	Silver, on demand

General Specifications

Product type	: Spotlights
Mounting type	: Ceiling - surface, Wall - surface
Description	: Kyclos Power is a spotlight with base, specially developed for LED COB latest technology, characterized by an innovative heat dissipation system. Mirror metallized thermoplastic reflector. Front part in clear polycarbonate, rear painted for a brighter effect.

Indoor/outdoor lights	: Indoor
Applications	: Art-galleries, Museums, Retail, Showrooms

Lighting specifications

Average lamp life (h)	: 50.000
Lamp description	: LED 9900lm 75W 3000K
Nominal lumens on thermal regime	: 9900
Efficiency L.O.R. (%)	: 90,0
Delivered lumens (lm)	: 8906
Lamp wattage (W)	: 75
Color temperature (K)	: 3000

Physical Specifications

Body	: Die-cast aluminium
Finishes	: Polyester painted
Thermal Dissipation	: Passive

Electrical Specifications

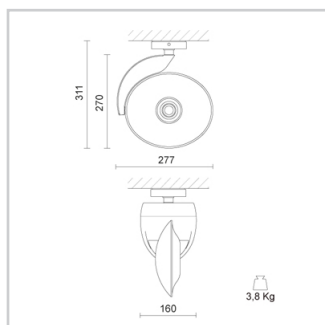
Glow wire (°C)	: 850
Driver	: Included
Driver mounting	: Integrated
Voltage (V)	: 220/240
Frequency (Hz)	: 50/60

Weight and Dimensions

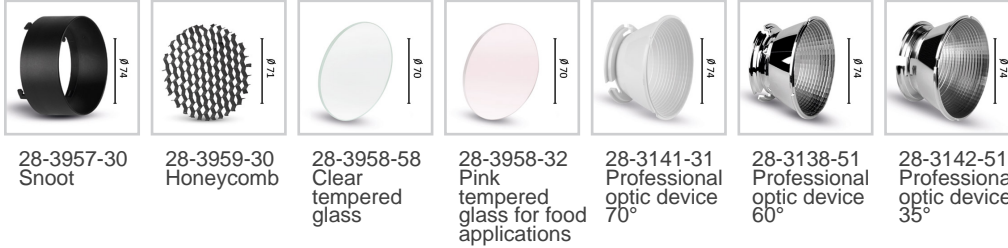
Length (mm)	: 277
Width (mm)	: 160
Height (mm)	: 311
Weight (Kg)	: 3.8


Optical Specifications

Light distribution	: Symmetric
Light emission	: Direct
Light beam	: 25°
Horizontal orientation	: 350°
Vertical tilt	: 350°
Note	: Honeycomb code 28-3959-30, pink tempered glass for food applications code 28-3958-58, closing screen cod. 28-3958-58 to be used only together with snoot code 28-3957-30. 35°, 60° (mirror metallized), 70° (white) optics are available on demand

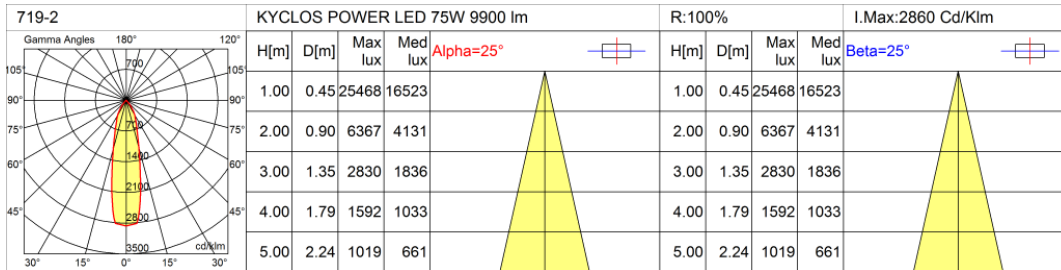


Accessories



Lamps	Lamp categories	Lamp type	Lamp wattage (W)	Nominal lumens on thermal regime (lm)	Color rendering (CRI)
	LED	COB LED	75	9900	85

Photometrics



Pictures and Applications

