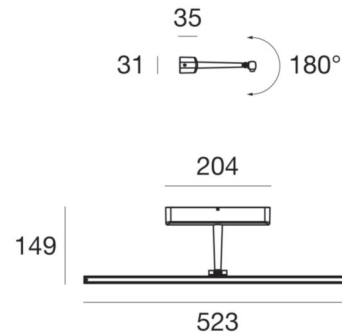


Straight_W



Wall Lights | 220-240 V | topLED 13 W 700 mA | CRI 90
8265



Technical data	
Type	Surface
Installation position	Wall lights
Installation environment	Indoor
Light Source	LED
Optics	General Lighting
Light emission direction	downward
Power	13 W
Source lumens	1444 lm
Frequency	60 - 50 Hz
CCT / Tone	2700 K
Colour rendering index	90 Ra
AC / DC	AC
Safety class	2
IP	IP40
Glow wire test	850°
Direct mounting on normally flammable surfaces	Yes
CE	Yes
ETL	No
Fire Rated (BS 476 PT21 compliant)	No
Driver included	Driver
Induction	No
Emergency mode	No
Motion sensor	No
Directional	Swivelling
total angle (horizontal plane)	180 °
Tilting	No
Walk-over	No
Drive-over	No
Cable included	No
Resin potting	No
Type of light emission	Single emission
Net weight	0.330 Kg

Finishing casing	
Material	Aluminium
Colour	chrome
Processing	Electroplating

Finishing diffuser	
Material	PC
Colour	opaline

Wall Lights | 220-240 V | topLED 13 W 700 mA | CRI 90
8265

Single emission wall lights for indoor application. The warm white LED light source with a general lighting light distribution is composed of 50 topped LEDs with CCT of 2700 K and a CRI 90; the source luminous flux is 1444 lm, with a 111.1 lm/W nominal luminous efficacy.

The device body is made of aluminium and features a chrome finish, processed by means of electroplating; the diffuser is made of PC. The ingress protection degree is IP40; the total weight is of 0.330 kg.

The total absorbed power is 13 W.

The device features protection class II and can be wall lights-mounted.

Compliant with the EN 60598-1 standard and its specific provisions.

Illuminotechnical Features

Light Output Ratio (LOR)	36 %
Source lumens	1444 lm
Delivered lumens	528 lm
Consumption	13 W
Luminaire efficacy	40 lm/W
Colour temperature	2700 K
Standard Deviation of Colour Matching	3 Step MacAdam
Colour rendering index	90 Ra

LED Life / Failure Ratio

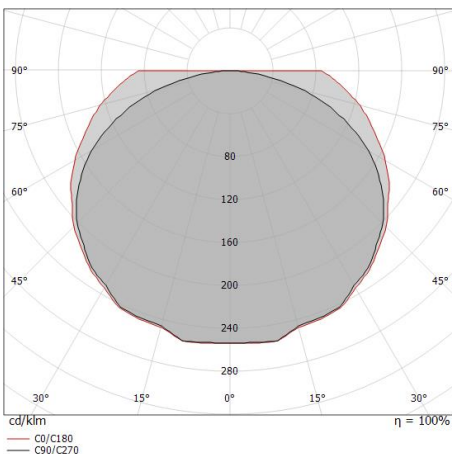
L80 B20 C0 80000h

UGR

X=4H Y=8H	S=0.25H
Reflection factor	70/50/20
UGR transversal	< 19
UGR axial	< 22

OPTICAL

Light distribution simmetry	Asymmetrical
C0/C180 optics	148°
C90/C270 optics	129°



Distance [m]	Cone diameter [m]	Illuminance [lx]	E(0°)	E(C90)	E(C0)
0.5	2.09 3.51	535 22 6	64.4°	74.1°	
1.0	4.17 7.02	134 5 1	64.4°	74.1°	
1.5	6.26 10.53	59 2 1	64.4°	74.1°	
2.0	8.35 14.04	33 1 0	64.4°	74.1°	
2.5	10.44 17.55	21 1 0	64.4°	74.1°	
3.0	12.52 21.06	15 1 0	64.4°	74.1°	

— C0/C180 (Half-peak divergence: 148.2°)
— C90/C270 (Half-peak divergence: 128.8°)