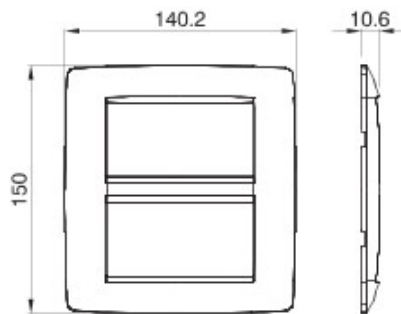


Range of plates for the Chorus wiring devices, made in a wide choice of shapes, colours, materials and finishes. It includes six different shapes (ONE, GEO, LUX, ART, ICE and ICE Touch) for rectangular boxes up to 12 modules and three different shapes (ONE International, GEO International and LUX International) suitable for round/square boxes, in single or multiple horizontal/vertical modularity, from 2 up to 2+2+2+2 modules. All the plates in the Chorus wiring devices use the same frame supports, without the necessity of additional adapters. The range includes also blank plates, IP55 waterproof plates and self-supporting plates for profiles and panels.

| | | | |
|----------------|------------|---------------------------|---------------|
| Family | ONE | Description | 4+4 gang |
| Colour | Milk white | Material | Technopolymer |
| Finishing | Glossy | For support codes | GW16808 |
| Glow wire test | 650 °C | Thermo-pressure with ball | 70 °C |
| Standard | EN 60669-1 | Electrocod | 0110 |

DIMENSIONAL



TECHNICAL SYMBOLOGY



STANDARDS/APPROVALS

