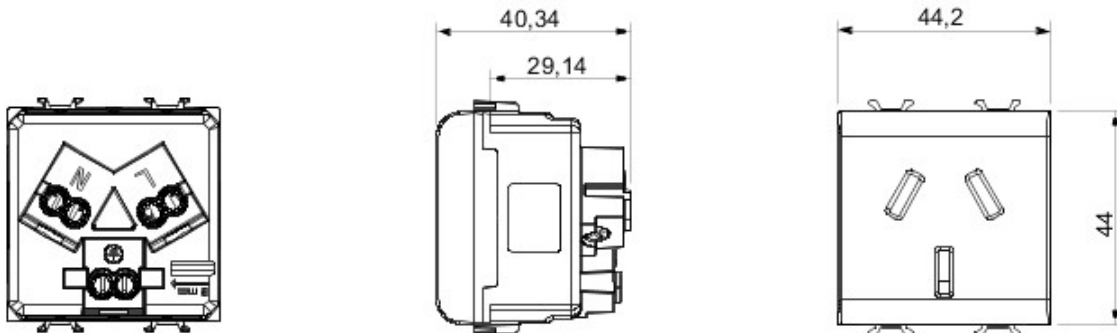


Wide range of switches, energy sockets (compliant with national and international standards), data sockets, devices for the management of climate control, comfort, technical alarms signalling, emergency lighting. The Chorus modular devices are available in four colors, glossy white, satin black, painted titanium and glossy ivory and in different modularities, 1/2, 1, 2 and 3 modules. Thanks to the frame supports for rectangular, square and round boxes, the devices allow you to create endless combinations with the range of Chorus plates.

|  |                                |   |                                |
|--|--------------------------------|---|--------------------------------|
| Category   | Socket-outlet                  | Description                                     | 2P+E - 16A                     |
| Colour   | White                          | Voltage   | 250 V ac                       |
| Standard   | Chinese                        | Characteristics                                 | With safety shields            |
| For plug pins                                      | Flat                           | Wiring terminals                                | With screw                     |
| Standard   | IEC 60884-1                    | Resistance at test voltage                      | 2000 V at 50 Hz for 1 minute   |
| Insulation resistance                              | > 5 MOhm                       | Breaking capacity                               | 1.25 In (100 position changes) |
| Prolonged operation (no.of position changes)       | 10.000 at In 250 V ac cosØ=0,8 | Thermo-pressure with ball                       | 125 °C                         |
| Glow Wire Test                                     | 850 °C                         | Terminal grip on cable traction                 | > 50 N                         |
| Terminal tightening capacity flexible cables (mm2) | min. 0,75 - max. 2x4           | Terminal tightening capacity rigid cables (mm2) | min. 0,5 - max. 2x2,5          |
| No. Chorus modules                                 | 2                              | Electrocod                                      | 0131                           |

### DIMENSIONAL



### TECHNICAL SYMBOLOGY



125 °C



850 °C

GEWISS S.p.A. Via A. Volta, 1  
24069 Cenate Sotto - Bergamo - Italy  
tel. +39 035 94 61 11 fax +39 035 94 69 09

www.gewiss.com  
sat@gewiss.com  
Last update 06/08/2018

Data, measures, designs and pictures are shown only as informativ purposes, and could be changed without previous notice